

Roll-0-Matic

A heavy duty Projection screen may be recessed in the ceiling or painted to match its surroundings. The viewing surface is concealed when not in use; lower it to any position at the touch of a switch or remote Control.

System Options

- Extra Drop—Up to 6m total screen height.
- Black Masking Borders—Borders are optional for AV format screens and standard for all other format screens.
- Triangular Shaped Steel Slat at bottom of projection surface. With screen recessed above ceiling, the triangular slat can be set to stop flush with the ceiling, for a clean installation.
- Universal Mounting Brackets—may be suspended from above, or mounted to wall.
- RESSES system where the cassette is flashing with the ceiling. Our projection screen offers you the benefits of installing the case during construction and the viewing surface at a later date to eliminate job site damage. Your choice of a conventional viewing surface: available in White, Off-white, smock grey and Black (customized color for your choice like wooden, fiberglass look or stucco paint Finish are available)

Fabric

SPECIFICATION	MW4	Primo	
Width	All	Up to 96"	120"
Weight (avg.)	11.6 oz. (393 grams)	13.1 oz. (444 grams).	12.2 oz. (414 grams)
Thickness (avg.)	11.5 mil (.292 mm)	13.0 mil (333 mm)	12.0 mil (.305 mm)
Surface Type	3 ply PVC Laminated	3 ply PVC Laminated	
Surface Texture	Embossed	Embossed	
Fabric Type	Fiberglass	Fiberglass	
Color	Matte White/Black	Matte White/Black	
Washable	<input checked="" type="checkbox"/>	<input checked="" type="checkbox"/>	
Flame Retardant	<input checked="" type="checkbox"/>	<input checked="" type="checkbox"/>	
Maximum Width	84" (213 cm)	120" (304 cm)	
Features	Medium weight Value Better	Heavy weight Width Best	

Control options

1. Spring System

- Heavy duty smooth operating Spring System for manual option where you can not provide power point our for economic purpose
- Our spring is friendly used. When you pull the screen down and release it. The screen move up and stop 10 cm before the full closing then start moving slowly to avoid any noise and for long lasting time for the screen and component.

←→ Mim 1.00 m Max 2.40 m

↑↓ Mim 1.00 m Max 3.50 m

2. Electrical System

Wired like any other motorized system that can be Operated with any standard control options.

Hardwired to a built-in RF receiver—This version includes a hand-held radio frequency remote control a Wireless wall Switch is optional.

Just to be Plug —with our new intelligent motors, you can have a remote controlled screen on your wall In just minutes—no electrician required. Our motor includes a built-in receiver and RF transmitter ready to be used.

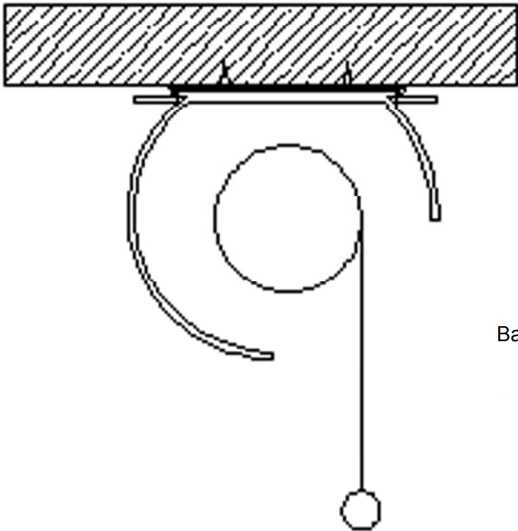
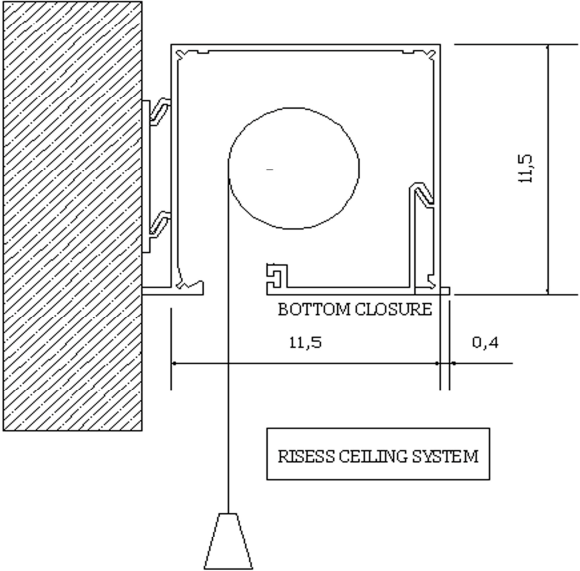
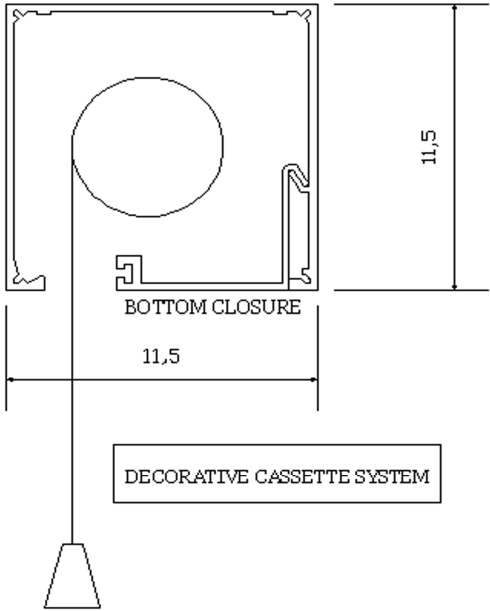
←→ Mim 1.00 m Max 6.00 m

↑↓ Mim 1.00 m Max 6.00

Installation— So Easy

- Fix the brackets to the wall or Ceiling that slide in channels on top of the case,
- A pre-wired junction box inside (left end standard), and cable exit holes on top.
- “Pin connector” electrical connection of screen to junction box— eliminating tools.
- Hang the screen inside the box, and make sure to pull out the extra wire so the roll will sit properly
- Click the Bottom of case and assure that it is luck properly to the box

Cassette

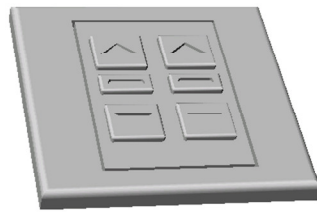


Bafalo Cassette system

Control



Wall Switch



Wireless Switch



Remote Control



