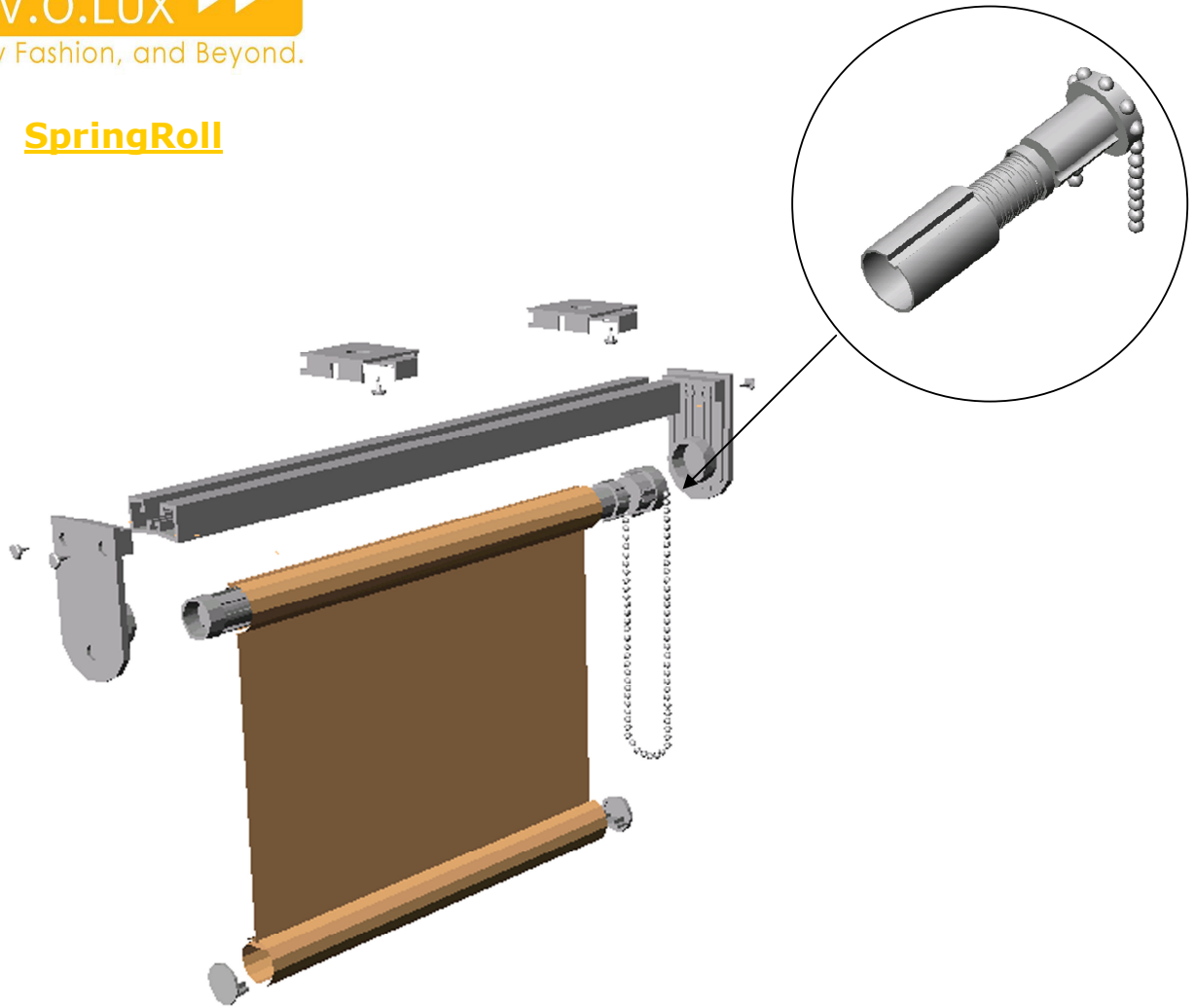


SpringRoll

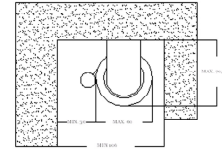


- **Unique spring clutch mechanism allows heavier fabric with precise and balanced control within a compact headrail.**
- **Finger-touch raising of blind by metal or plastic bead chain, left or right operation.**
- **Can be stopped at any given position.**
- **Aluminum bottom bar in white as standard. Optional silver or black.**
- **Additional slave spring version for heavy fabrics up to 550gsm (will be automatically supplied where required at no extra cost).**
- **Varied fixing possibilities to ceiling, wall or recess.**
- **Easy front loading into snap brackets.**
- **Bracket cover for neater appearance outside recess**

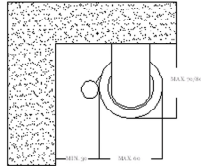


Fixing Options

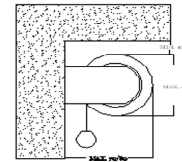
Inside Curtain box



Ceiling Fix



Wall Mounted



- Pocket accessories include a wide range of removable closure angles that allow for visual concealment of the rollers and minimize the reveal that the shade's hem bar passes through, providing clean lines and details and a tile support to support the ceiling grid.

Fascia System

- An optional L Shape Fascia is Available wherever you require hiding the roller tube
- Extruded aluminium alloy 6063-T5, pre-finished, 11 X 7 cm
- Standard Colour White and Silver (Special Colour can be made for minimum Quantity)