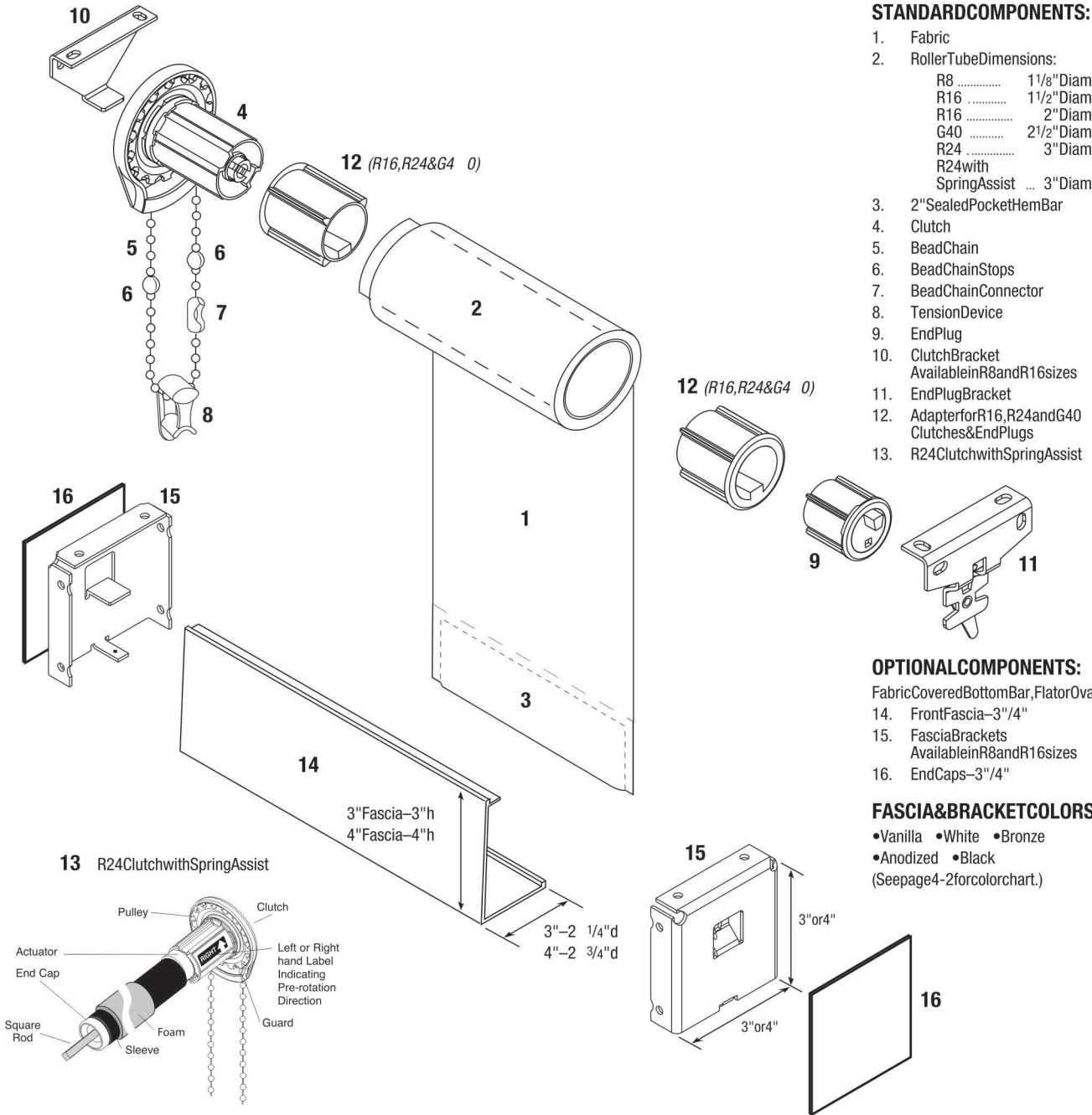




CASSETTE MANUAL BLIND

# MANUAL ROLLERSHADE



## STANDARD COMPONENTS:

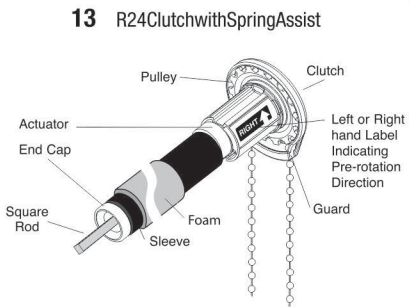
1. Fabric
2. Roller Tube Dimensions:
  - R8 ..... 1 1/8" Diameter
  - R16 ..... 1 1/2" Diameter
  - R16 ..... 2" Diameter
  - G40 ..... 2 1/2" Diameter
  - R24 ..... 3" Diameter
  - R24 with Spring Assist ... 3" Diameter
3. 2" Sealed Pocket Hem Bar
4. Clutch
5. Bead Chain
6. Bead Chain Stops
7. Bead Chain Connector
8. Tension Device
9. End Plug
10. Clutch Bracket Available in R8 and R16 sizes
11. End Plug Bracket
12. Adapter for R16, R24 and G40 Clutches & End Plugs
13. R24 Clutch with Spring Assist

## OPTIONAL COMPONENTS:

- Fabric Covered Bottom Bar, Flat or Oval
14. Front Fascia-3"/4"
  15. Fascia Brackets Available in R8 and R16 sizes
  16. End Caps-3"/4"

## FASCIA & BRACKET COLORS:

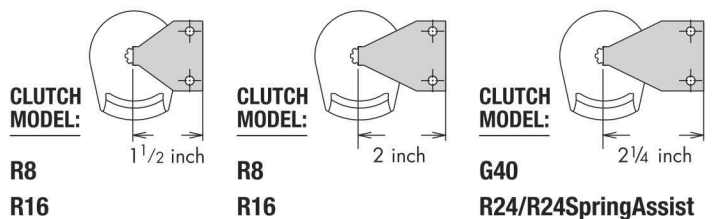
- Vanilla • White • Bronze
  - Anodized • Black
- (See page 4-2 for color chart.)



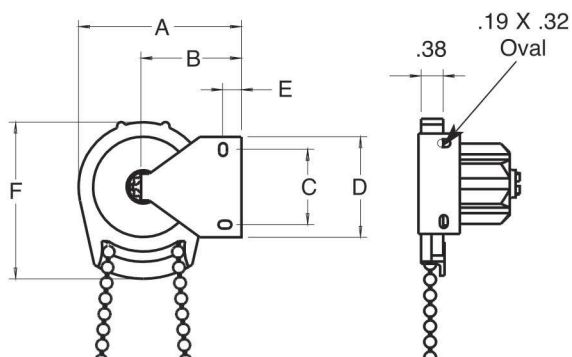
## SHADE SIZES & WEIGHTS:

CLUTCH MODEL	SHADE WIDTH	SHADE DROP	MAXIMUM WEIGHT
R8	12"-72"	12"-144"	8lbs.
R16	72 1/8"-120"	12"-144"	16lbs.
G40	120 1/8"-156"	12"-144"	40lbs.
R24/R24 with Spring Assist	156 1/8"-192"	12"-144"	40lbs.

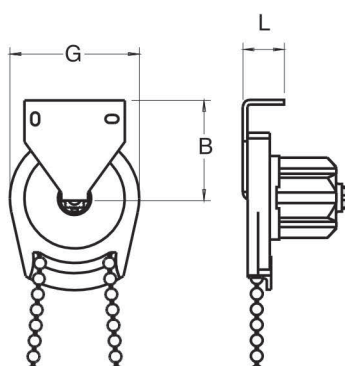
## BRACKET PROJECTIONS:



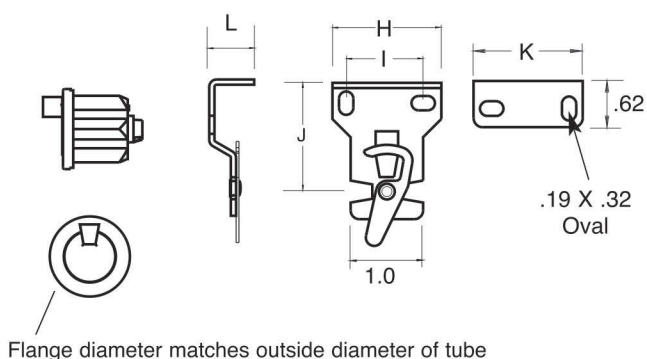
## COMPONENTDIMENSIONS



**Outside &  
Inside Mount**



**Ceiling Mount**

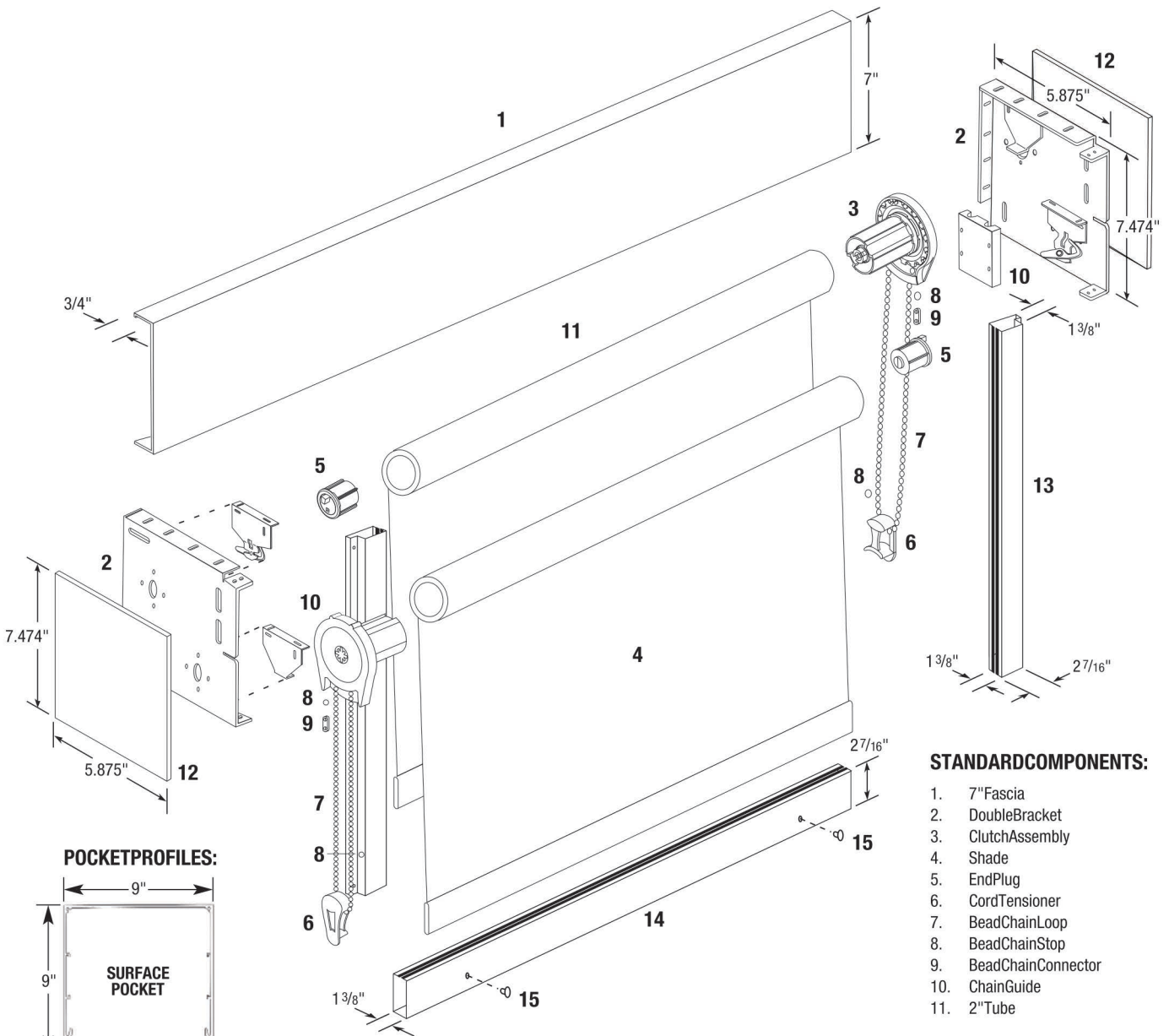


**End Plug and  
Bracket with  
Retainer**

### COMPONENTDIMENSIONS:

CLUTCH MODEL	BRACKET MODEL	A	B	C	D	E	F	G	H	I	J	K	L
R8	1 1/2" Projection	2.48"	1.5"	1.06"	1.5"	0.28"	2.35"	1.95"	1.5"	1.125"	1.5"	1.5"	.62"
	2" Projection	2.98"	2.0"	1.06"	1.5"	0.28"	2.35"	1.95"	1.5"	1.125"	2.0"	1.5"	.62"
R16	1 1/2" Projection	2.95"	1.62"	2.0"	2.5"	0.31"	3.21"	2.65"	2.5"	2.0"	1.5"	2.5"	.62"
	2" Projection	3.45"	2.12"	2.0"	2.5"	0.31"	3.21"	2.65"	2.5"	2.0"	2.0"	2.5"	.62"
G40*	2 1/4" Projection	4.0"	2.25"	1.75"	3.0"	0.375"	4.25"	3.50"	3.0"	1.75"	2.25"	3.0"	.62"
R24/R24 WITH SPRING ASSIST	2 1/4" Projection	4.0"	2.25"	1.75"	3.0"	0.375"	4.25"	3.50"	3.0"	1.75"	2.25"	3.0"	.62"

# DUAL MANUAL SHADES WITH FASCIA



## STANDARD COMPONENTS:

1. 7" Fascia
2. Double Bracket
3. Clutch Assembly
4. Shade
5. End Plug
6. Cord Tensioner
7. Bead Chain Loop
8. Bead Chain Stop
9. Bead Chain Connector
10. Chain Guide
11. 2" Tube

## FASCIA & BRACKET COLORS:

- Vanilla • White • Bronze
  - Anodized • Black
- (See page 4-2 for color chart.)

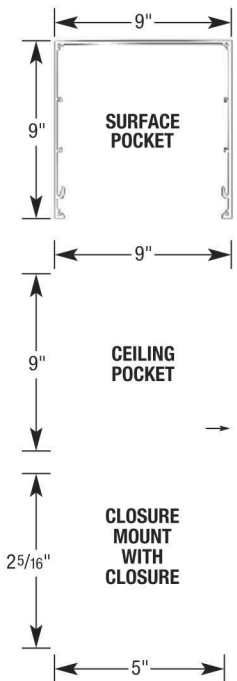
## OPTIONAL COMPONENTS:

12. Fascia End Plate
  13. Blockout Side Channel
  14. Blockout Bottom Channel
  15. Mounting Hole Plugs
- Fabric Covered Bottom Bar, Flator Oval

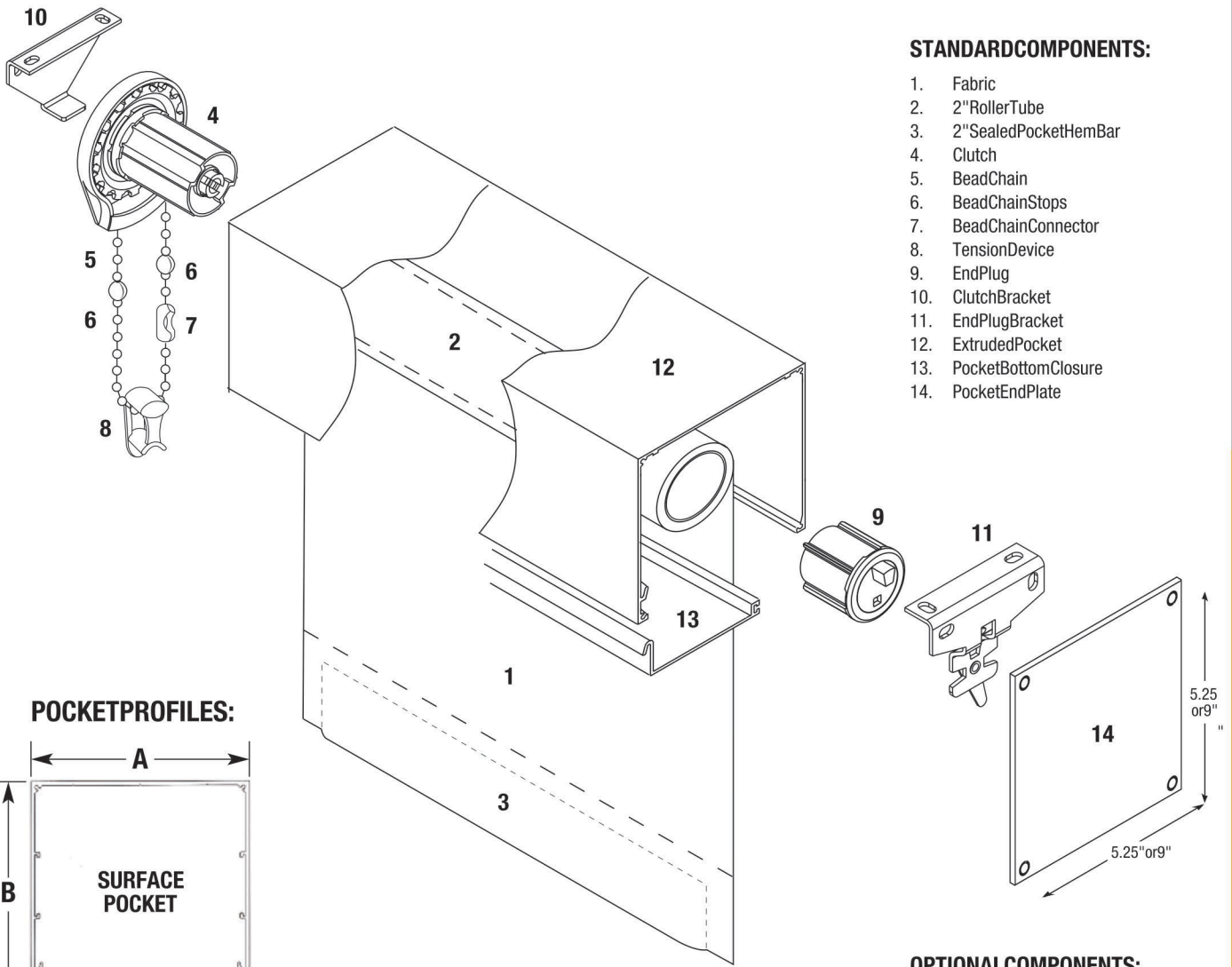
## SHADE SIZES & WEIGHTS:

CLUTCH MODEL	SHADE WIDTH	SHADE DROP	MAXIMUM WEIGHT	TUBE SIZE	MAXIMUM ROLL-UP DIAMETER*
R16	18"-120"	12"-120"	16lbs.	2"	3.5"
G24 Fabric <10oz/sq.yd	120 1/8"-156"	12"-120"	24lbs.	2.5"	3.5"

## POCKET PROFILES:



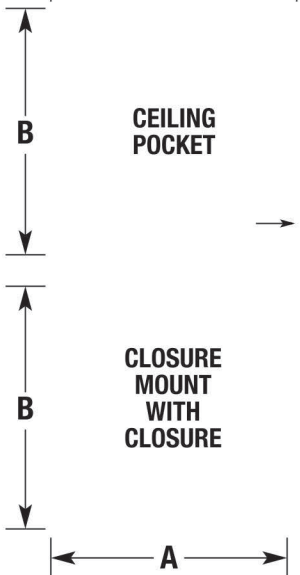
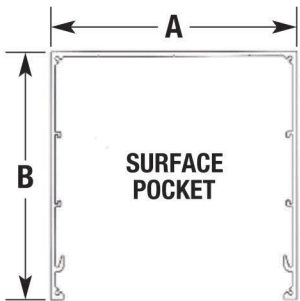
# MANUAL SHADE WITH EXTRUDED POCKET



## STANDARD COMPONENTS:

1. Fabric
2. 2" Roller Tube
3. 2" Sealed Pocket Hem Bar
4. Clutch
5. Bead Chain
6. Bead Chain Stops
7. Bead Chain Connector
8. Tension Device
9. End Plug
10. Clutch Bracket
11. End Plug Bracket
12. Extruded Pocket
13. Pocket Bottom Closure
14. Pocket End Plate

## POCKET PROFILES:



## OPTIONAL COMPONENTS:

Fabric Covered Bottom Bar  
Flator Oval

## EXTRUDED POCKET COLORS:

• White • Anodized  
(See page 4-2 for color chart.)

## POCKET DIMENSIONS:

POCKET SIZE	WIDTH A	HEIGHT B
Surface Pocket	5 1/4"	5 1/4"
	9"	9"
Ceiling Pocket	5 1/4"	5 1/4"
	9"	9"
Closure Mount (B) with 2" Closure (A)	2"	2 5/16"
Closure Mount (B) with 3" Closure (A)	3"	2 5/16"
Closure Mount (B) with 5" Closure (A)	5"	2 5/16"



[WWW.LOUVOLUX.COM](http://WWW.LOUVOLUX.COM)